

**Model 240M, Left Hand
with Aspirating Feeder**

Parts List OLIVER MODEL 240 GRAVITY SEPARATOR Including "Master Series"

HOW TO ORDER PARTS

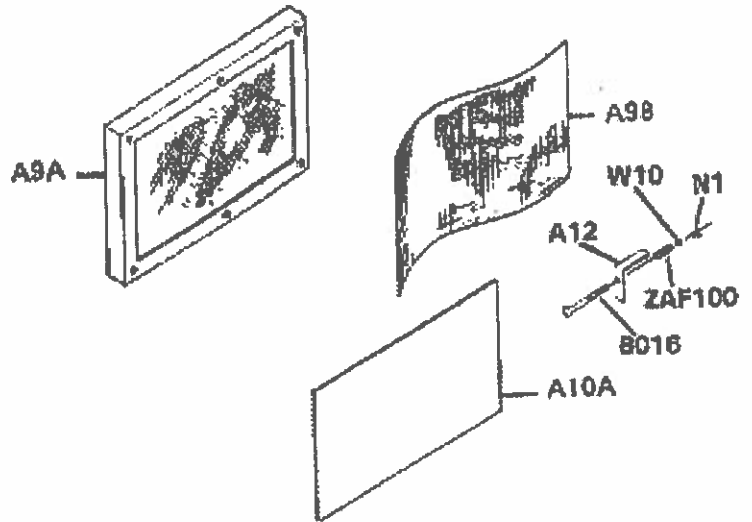
When ordering parts, please list the model number of the machine, the serial number and the part number (i.e. Model 80, Serial Number 8790, Part Number CDK110; 10-Mesh Coated Overcover). The serial number can be found on a small plate bearing the model number, attached to the air chest, immediately opposite the machine's feeder. This will enable us to provide you with a part that will fit properly. Many parts are interchangeable between various model gravities and stoners, but others are suitable only for specific machines. If the above information cannot be furnished, please let us have the dimensions of the deck and the approximate year the machine was purchased. We can fill orders without part numbers or other identification, but delivery time will be delayed. Usually part orders can be shipped within 24 hours after receipt at the factory. Complete decks and special items take longer. Please contact the factory if you have any questions regarding replacement parts. All repair parts will be painted standard Oliver Soybean yellow unless otherwise requested.



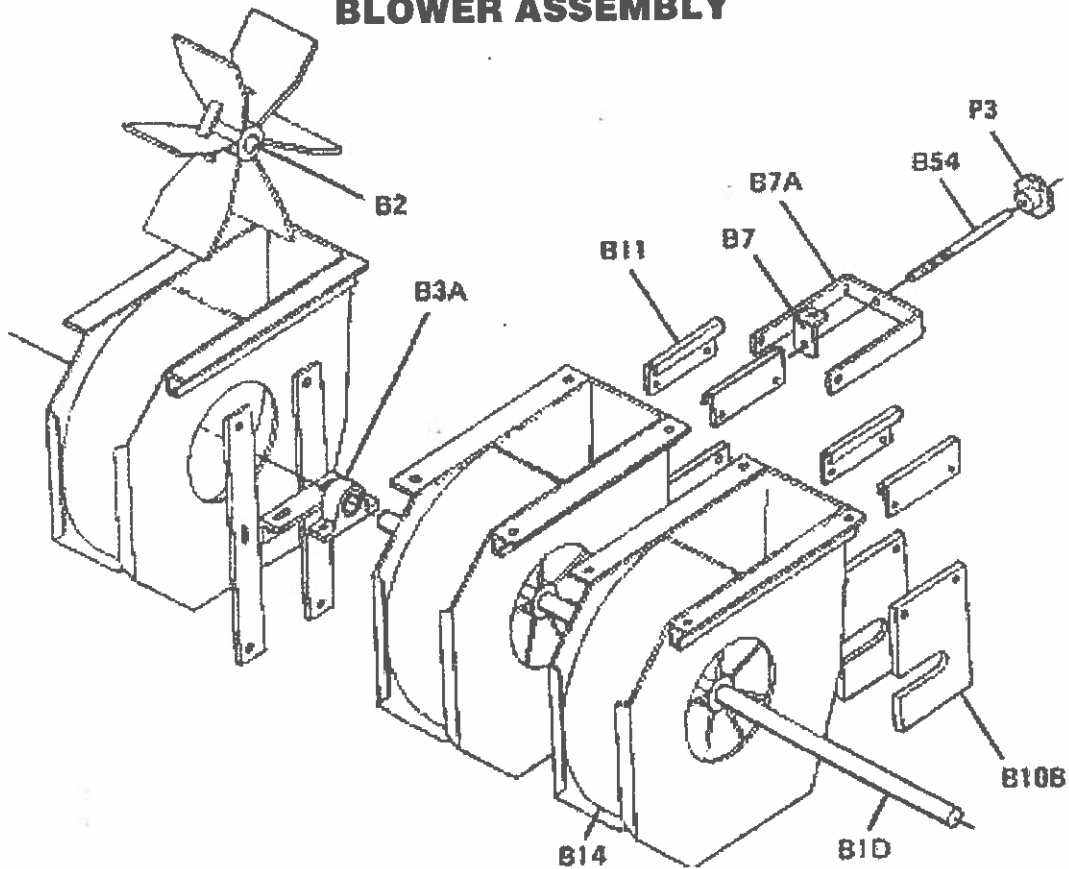
OLIVER MANUFACTURING COMPANY, INC.
BOX 512, ROCKY FORD, COLORADO 81067
(719)254-7814
FAX (719)254-6371
<http://www.olivermfgco.thomasregister.com>

AIR FILTER ASSEMBLY

- A98 Replacement Filter Screen Media
- A9A Complete Air Filter
- A10A Filter Blank
- A12 Filter Clamp
- ZAF100 Compression Spring
- BO16 1/4" X 3" Cap Screw
- N1 1/4" Wing Nut
- W10 1/4" Flat Washer



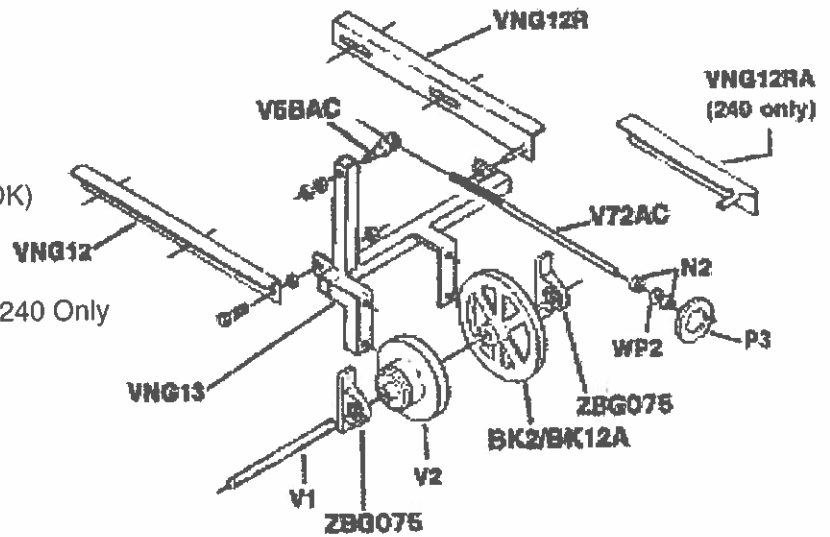
BLOWER ASSEMBLY



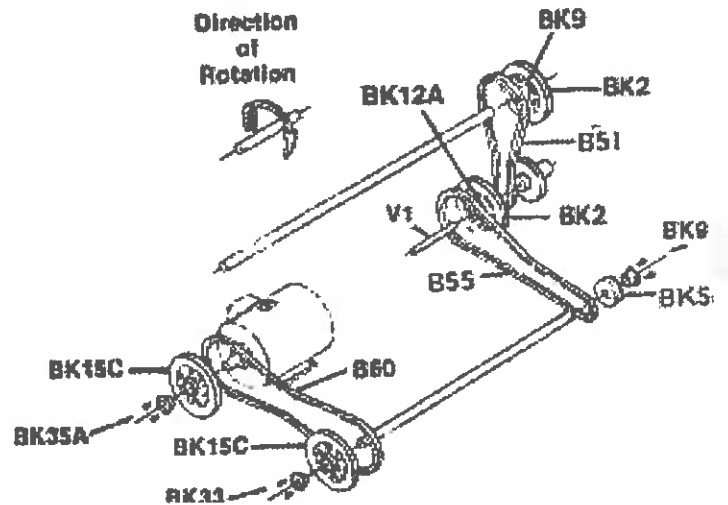
- | | | | |
|-----|-------------------------------|------|-------------------------------------|
| B1D | Blower Shaft | B7A | Air Gate Yoke |
| B2 | Blower Wheel | P3 | Spinner Knob for Air & Speed Change |
| B3A | Pillow Block Bearing (LOK) | B10B | Wood Air Gate Set |
| B54 | Short Air Gate Adjustment Rod | B11 | Air Gate Slides |
| B7 | Short Air Gate Rod Stop | B14 | Drum |

VARISPEED ASSEMBLY

BK12A	3/4" H Bushing (Not Shown)
BK2	BK80H Sheave
V1	Variable Speed Shift
V2	Varispeed Sheave
ZBG075	3/4" Pillow Block Bearing (LOK)
VNG12	Left Mounting Angle
VNG12R	Right Mounting Angle
VNG12RA	Right Mounting Angle Model 240 Only
VNG13	Varispeed Platform
V5B	Eyebolt, Standard Thread
V5BAC	Eyebolt, ACME Thread
V72	Speed Control Rod, Std.
V72AC	Speed Control Rod, ACME
N2	1/2" Collar
P3	Speed Control Knob
WP2	Plastic Washer

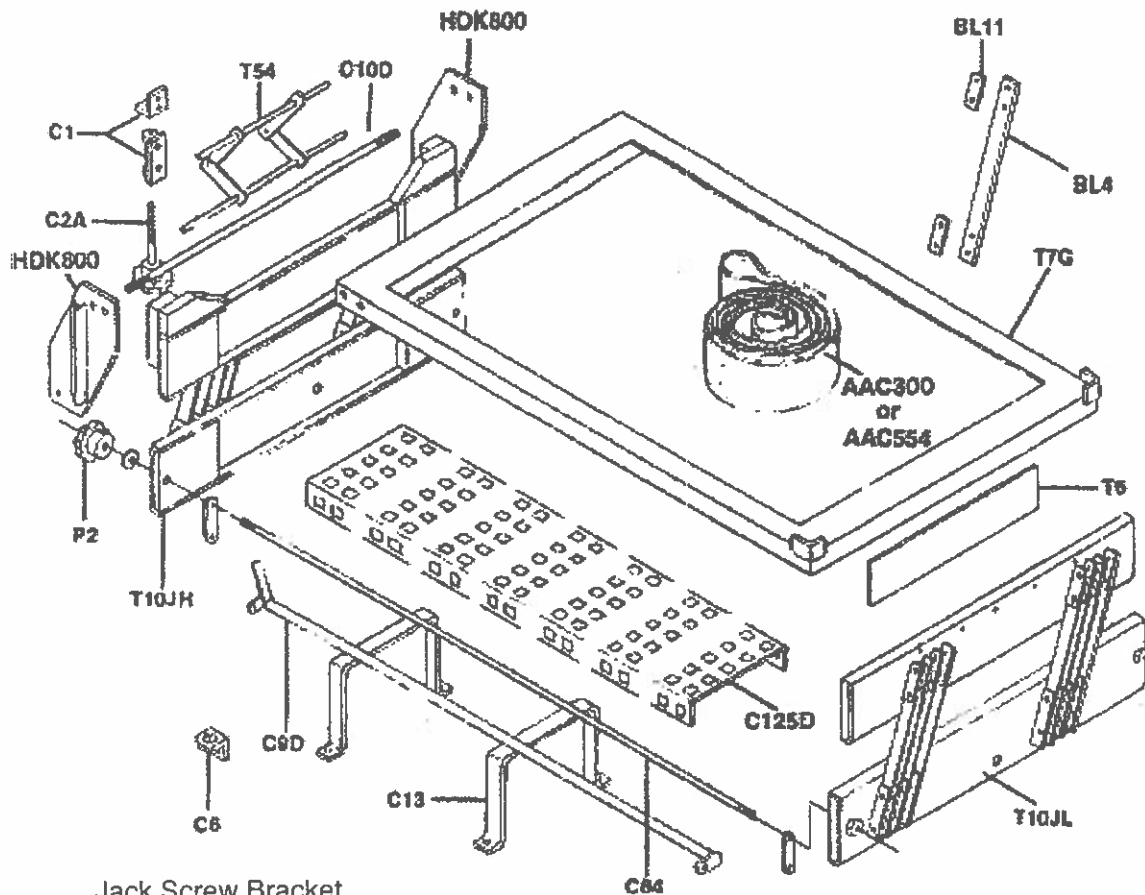


DRIVE ASSEMBLY



BK12A	3/4" H Bushing
BK15C	Motor Sheave for Type A Machine
BK15B	Motor Sheave for Type B Machine (Not Shown)
BK15C	Blower Shaft Sheave, Motor End
BK4	Blower Shaft Sheave Varispeed End, Type B (Not Shown)
BK5	Blower Shaft Sheave Varispeed End, Type A
BK9	Blower Shaft Sheave Bushing, 1-3/16" H Bushing
BK2	BK80H Sheave
B51	B51 Belt to Drive Eccentric Shaft
B55	B55 Belt to Drive Varispeed Assembly
B60	B60 Belt for Motor Drive (3 required)
BK33	Blower Shaft Bushing for BK 15C
BK35A	Motor Shaft Bushing for BK15B, BK15C

CLAMPING, TILTING AND TOGGLE ASSEMBLY

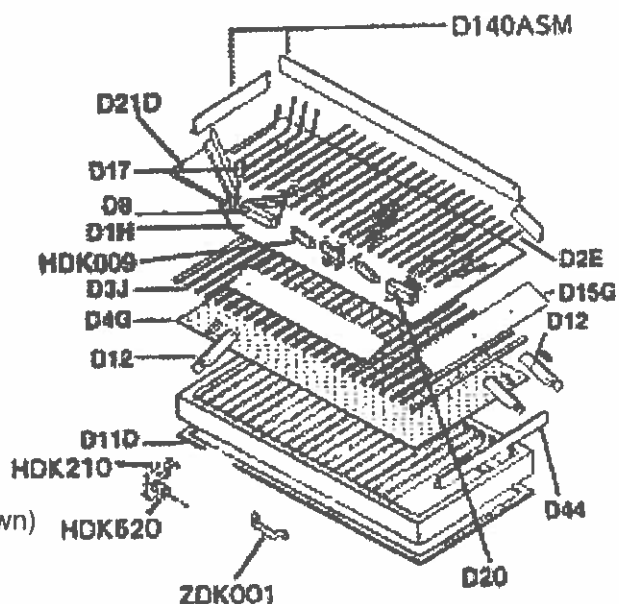


C1	Jack Screw Bracket
C2A	Jack Screw
C10D	Width Clamp Rod
P2	Clamping Knob
AAC300	Boot, Nylon Reinforced Vinyl
AAC554	NRV Boot, No Velcro
C6	Lifting Bracket
C84	Length Clamp Rod
C9D	Tilt Control Rod for 240 Left Hand
C9DR	Tilt Control Rod for 240 Right Hand (Not Shown)
C125D	Complete Air Baffle
C13	Air Baffle Support Leg
C14	Air Deflector (Not Shown)
T10JH	Complete Spring Board Assembly, Feed End for 240 Left Hand
T10J1H	Spring Board Assembly, Feed End for 240 Right Hand (Not Shown)
T10JL	Complete Spring Board Assembly, Discharge End for 240 Left Hand
T10J1L	Spring Board Assembly, Discharge End for 240 Right Hand (Not Shown)
BL4	Toggle Leaf Spring
BL11	Leaf Spring Keep
T54	Stabilizer Hinge
T6	Machine Plate
T7G	Deck Carriage, new Heavier Design
AR4D	Air Chest Divider Set
AAC200	Divider Set, Counterweight

DECK ASSEMBLIES

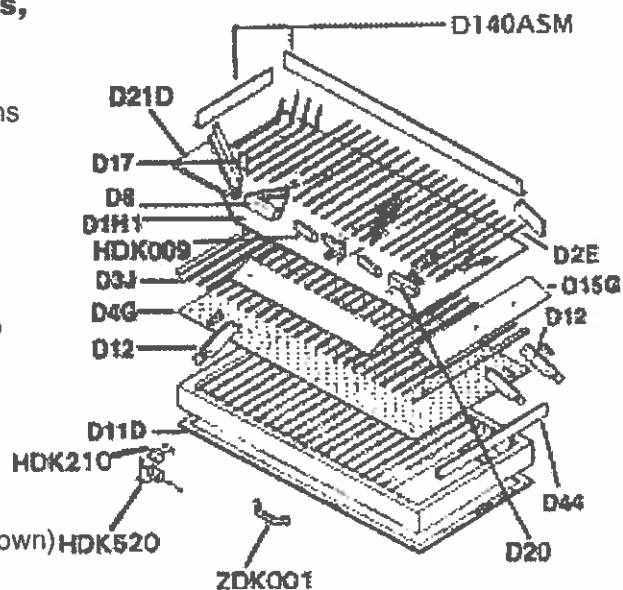
10 Mesh Screen for Large Seed, such as Beans, Peas, Corn, Etc.

ADK108	8 Mesh Coated Overcover
D1H	10 Mesh Screen Overcover
D2E	Set of Riffles and Nails
D1H	10 Mesh Screen Overcover
D2E	Set of Riffles and Nails
D3J	Set of Parting Strips Used with D1H
D4G	Undercover Set Used with D1H
D8	Rock Trap
D17	Metal Gate - Controls Flow From Rock Trap
HDK520	Deck Clamp
D11D	Deck Felt Set
D12	Cutting Finger
D44	Deck Rib
D140ASM	Deck Rail Set for Left Hand Deck
D140BSM	Deck Rail Set for Right Hand Deck (Not Shown)
D15G	Discharge Apron Set (Wood)(Optional)
ZDK001	Deck Handle
D15G1	Apron Set, HDPE
HDK210	Deck Hold Down Clip
D20	End Block
D21D	Cut Off Board
HDK009	Deck Gates HDPE



16 Mesh Screen for Cereal Grains, such as Wheat and Oats

D1H1	16 Mesh Screen Overcover for Cereal Grains
D5E	Two Mesh Friction Screen (Not Shown)
D2E	Set of Riffles and Nails
D3J	Set of Parting Strips Used with D1H1
D4G	Undercover Set Used with D1H1
D8	Rock Trap
D17	Metal Gate - Controls Flow From Rock Trap
HDK520	Deck Clamp
D11D	Deck Felt Set
D12	Cutting Finger
D44	Deck Rib
D140ASM	Deck Rail Set for Left Hand Deck
D140BSM	Deck Rail Set for Right Hand Deck (Not Shown)
D15G	Discharge Apron Set (Wood)(Optional)
ZDK001	Deck Handle
D15G1	Apron Set, HDPE
HDK210	Deck Hold Down Clip
D20	End Block
D21D	Cutoff Board
HDK009	Deck Gates, HDPE

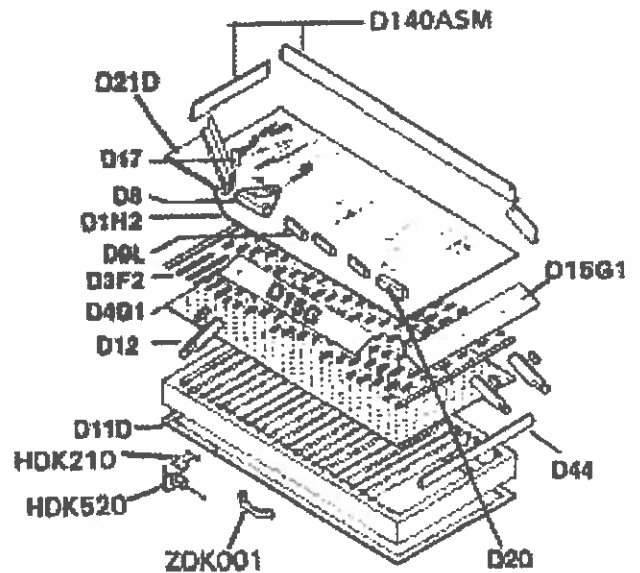


**30 Mesh B Deck for
Small Seed, such as Clover,
Alfalfa, Vegetables, etc.**

- D1H2 30 Mesh Screen Overcover for Small Seed
- D3F2 Set of Parting Strips Used with D1H2
- D4G1 Undercover Set Used with D1H2
- D8 Rock Trap
- D17 Metal Gate - Controls Flow From Rock Trap
- D9L Wood Discharge Gate for Left Hand Deck
- D9R Wood Discharge Gate for Right Hand Deck
(Not Shown)

- HDK520 Deck Clamp
- D11D Deck Felt Set
- D12 Cutting Finger
- D44 Deck Rib
- D140ASM Deck Rail Set for Left Hand Deck
- D140BSM Deck Rail Set for Right Hand Deck
(Not Shown)

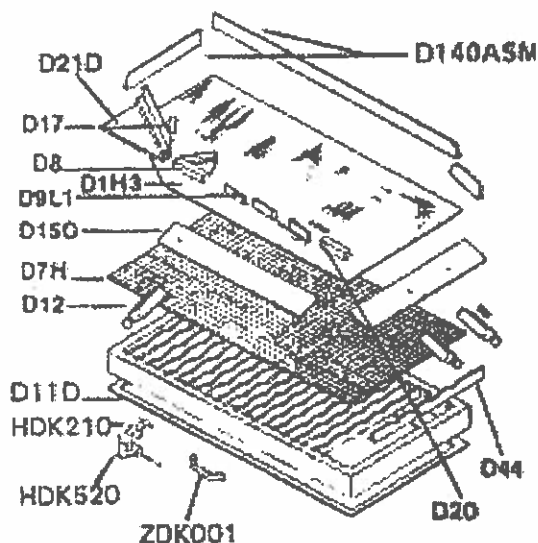
- D15G Discharge Apron Set (Wood)(Optional)
- ZDK001 Deck Handle
- D15G1 Polyethylene Apron Set
- HDK210 Deck Hold Down Clip
- D20 End Block
- D21D Cutoff Board



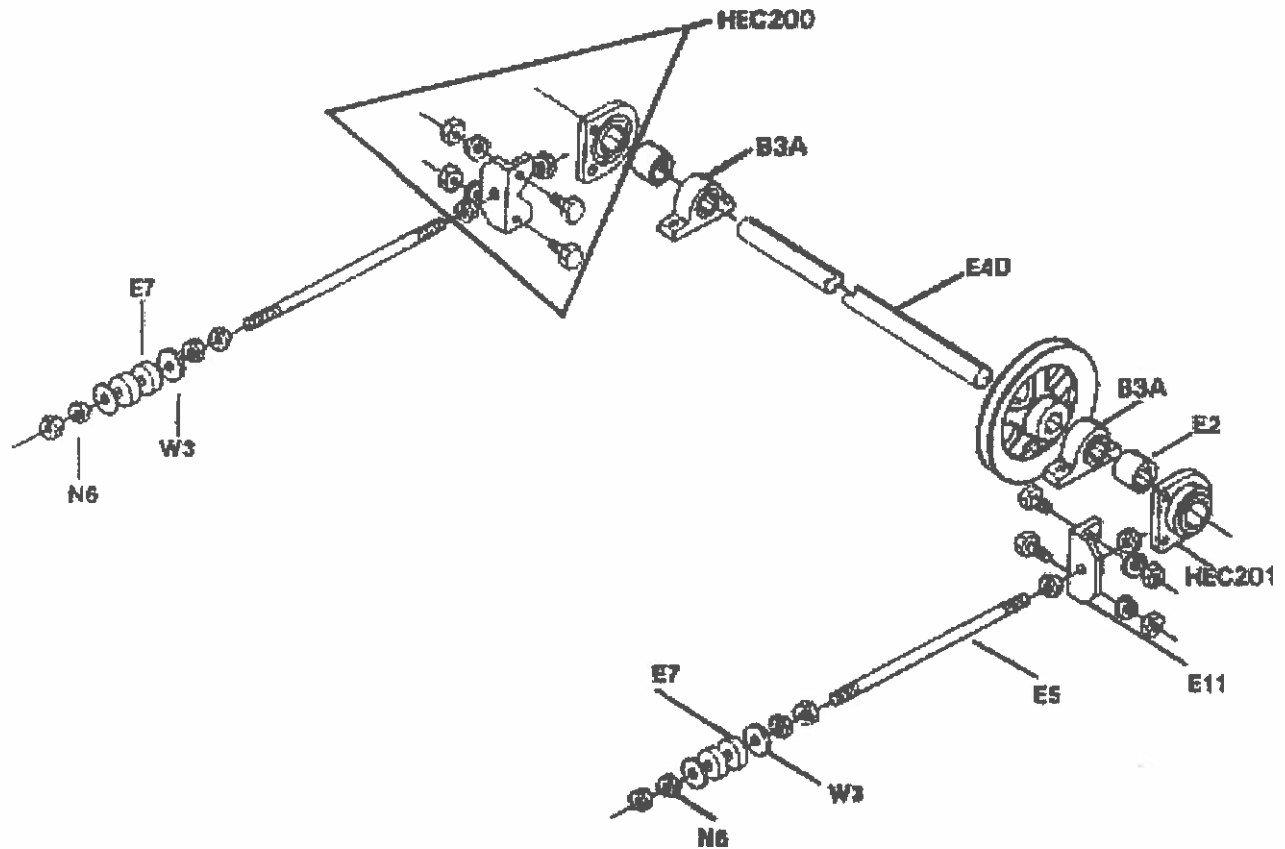
**Linen Deck
For Fine Seed**

- D1H3 Linen Overcover for Extremely Fine Seed
- D7H Cloth Support Wire Used with D1H3
- D8 Rock Trap
- D17 Metal Gate - Controls Flow From Rock Trap
- D9L1 Discharge Gate for Fine Seed for Left Hand Deck
- D9R1 Discharge Gate for Fine Seed for Right Hand
Deck (Not Shown)

- HDK520 Deck Clamp
- D11D Deck Felt Set
- D12 Cutting Finger
- D44 Deck Rib
- D140ASM Deck Rail Set for Left Hand Deck
- D140BSM Deck Rail Set for Right Hand Deck (Not Shown)
- D15G Discharge Apron Set (Wood)(Optional)
- ZDK001 Deck Handle
- HDK210 Deck Hold Down Clip
- D15G1 Polyethylene Apron Set (Optional)
- D20 End Block
- D21D Cutoff Board

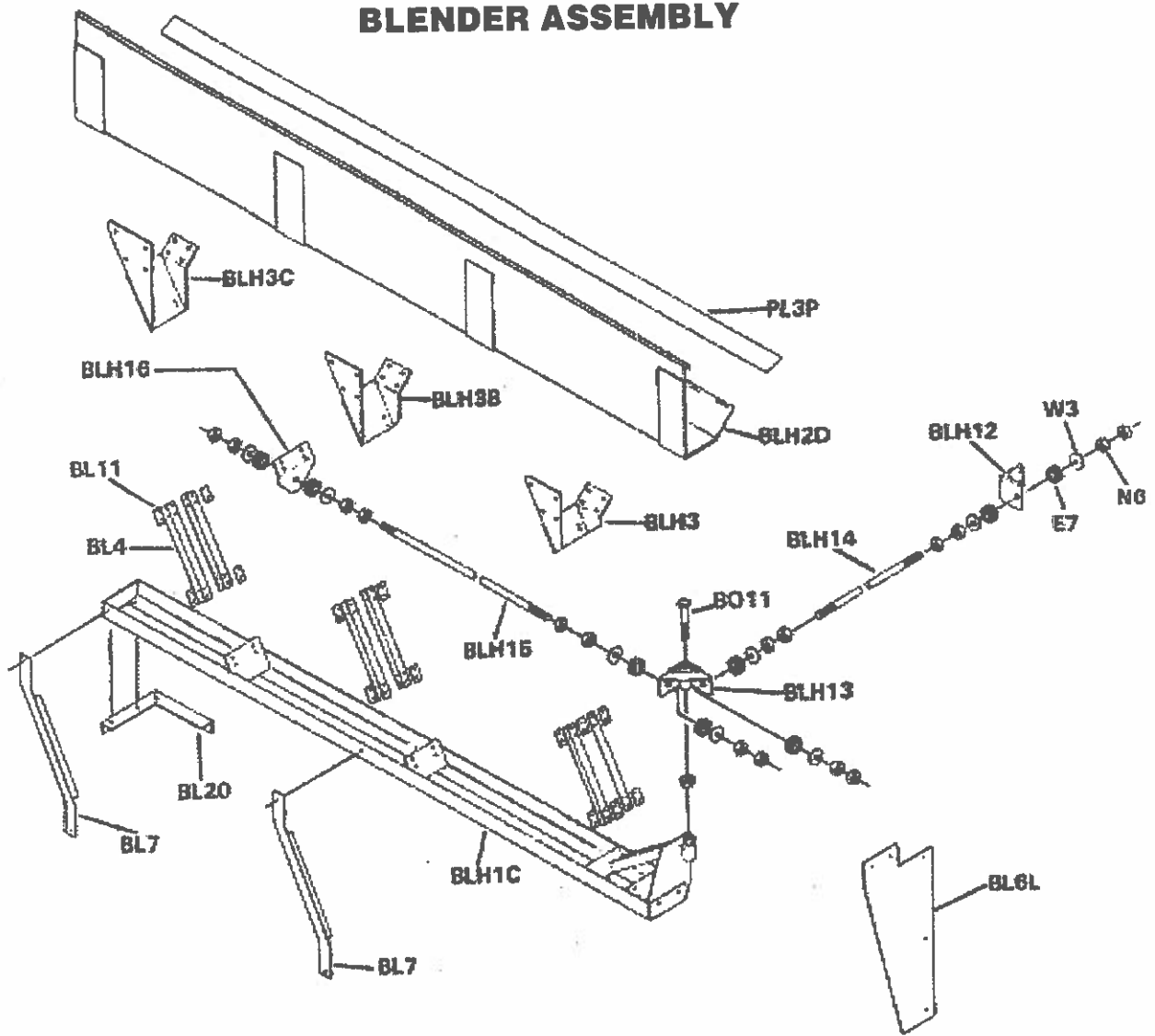


ECCENTRIC ASSEMBLY



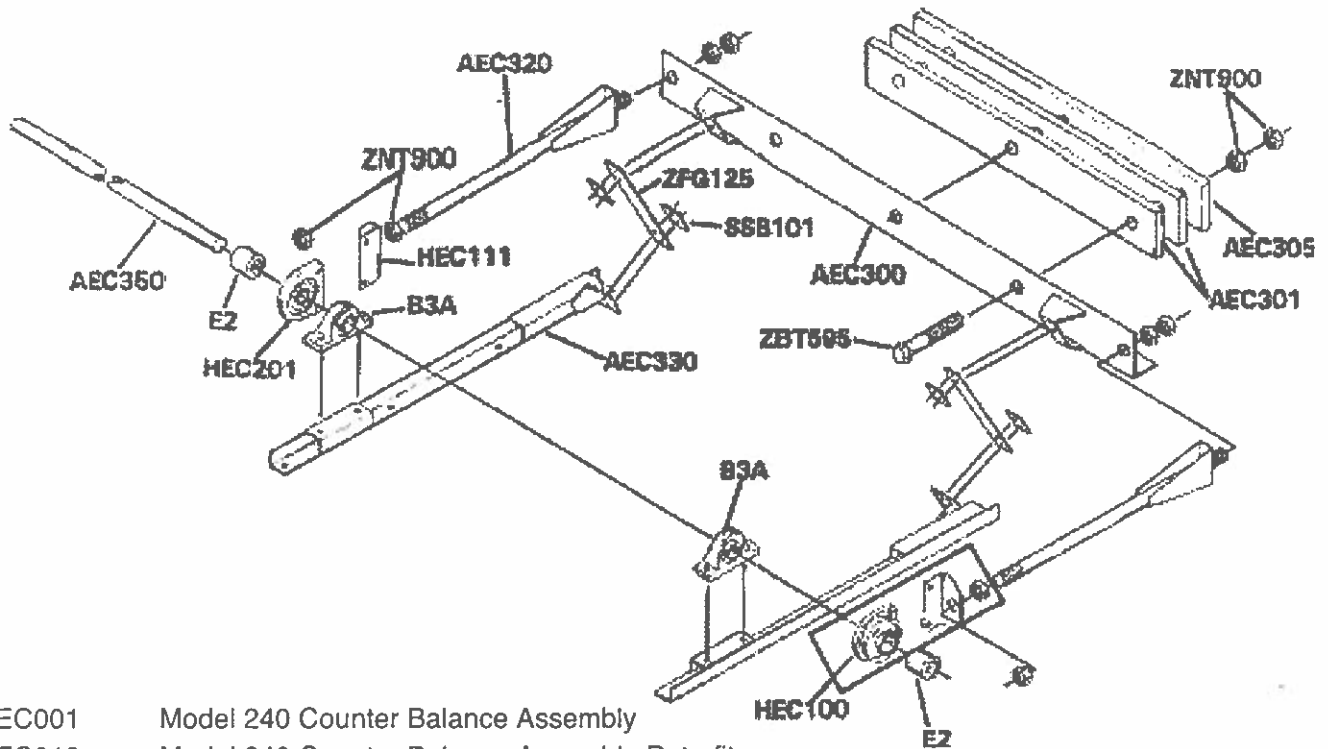
B3A	Blower and Eccentric Shaft Bearing
HEC200	Eccentric Bearing with Bracket and Bolts
HEC201	1-3/4" Eccentric Push Rod Bearing (LOK)
E11	Eccentric Bearing Bracket
E2	Eccentric Heart
E4D	Eccentric Shaft
E5	Eccentric Connecting Rod - Transmits Eccentric Motion to Deck Carriage
W3	Metal Washer
E7	Rubber Washer
N6	Jam Nut

BLENDER ASSEMBLY



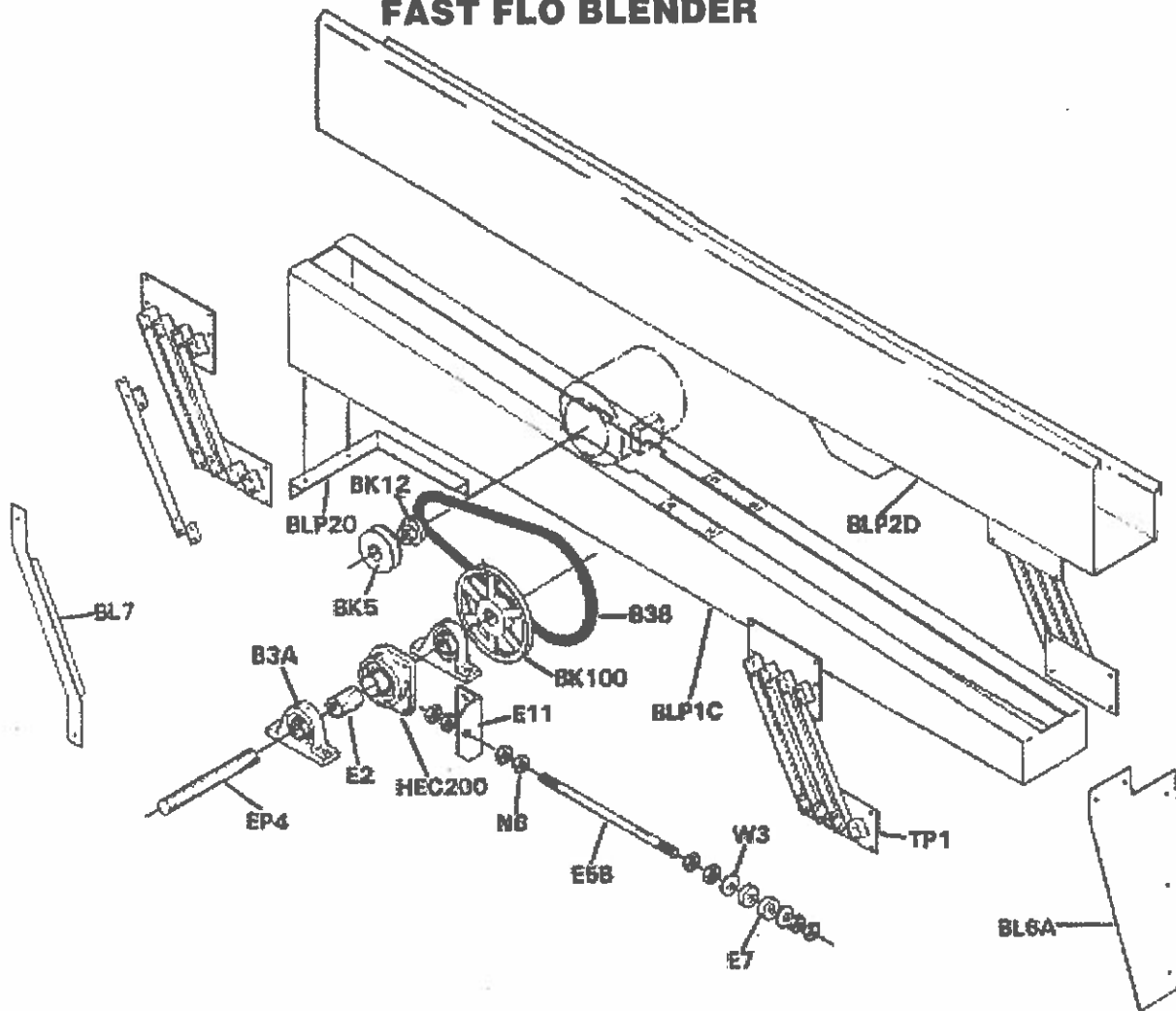
BLH25	Complete Blender for 240 Left Hand	BL4	Toggle Leaf Spring
BLH26	Complete Blender for 240 Right Hand (Not Shown)	BL6L	Gusset Brace for 240 Left Hand
BLH1C	Blender Foundation for 240 Left Hand	BL6R	Gusset Brace for 240 Right Hand (Not Shown)
BLH1CR	Blender Foundation for 240 Right Hand (Not Shown)	BL7	Rear Blender Brace
BLH2D	Blender Trough for 240 Left Hand	BL11	Leaf Spring Keep
BLH2DR	Blender Trough for 240 Right Hand (Not Shown)	BLH12	Angle Connection
BLH3	Low End Spring Connector for 240 Left Hand	BLH13	Transition Piece
BLH3A	Low End Spring Connector for 240 Right Hand (Not Shown)	BLH14	Short Drive Rod
BLH3B	Center Spring Connector for 240 Left Hand	BLH15	Long Drive Rod
BLH3B1	Center Spring Connector for 240 Right Hand (Not Shown)	BLH16	Rod Connection
BLH3C	High End Spring Connector for 240 Left Hand	E7	Rubber Washer
BLH3C1	High End Spring Connector for 240 Right Hand (Not Shown)	W3	Metal Washer
		BL20R	ear Brace Support Angle
		BO11	Cap Screw 3/4 X 4
		N6 3/4	Jam Nut
		PL3P	22" X 3", .060 Linear Polyethylene

COUNTER BALANCE



AEC001	Model 240 Counter Balance Assembly
AEC010	Model 240 Counter Balance Assembly-Retrofit
AEC300	Model 240 C/W Mount Angle-Complete
AEC350	Model 240 C/W Eccentric Shaft
AEC301	Model 240 C/W Plate 60"
AEC305	Model 240 C/W Plate-Weld
ZFG125	Scotchply Toggle - 2 X 10-1/2
SSB101	Scotchply Back Plate - 2 X 2-1/2
HEC100	C/W Bearing w/Bracket and Bolts
HEC201	1-3/4" Eccentric Push Rod Bearing (LOK)
HEC111	C/W Mount Angle Bracket
ZBT500	1/2 X 1-3/4 Hex Cap Screw
W8	1/2 Lock Washer
N10	1/2 Heavy Hex Nut
E2	Eccentric Heart
B014A	3/8 X 1-3/4 Hex Cap Screw
W5	3/8 Lockwasher
N8	3/8 Heavy Hex Nut
ZBT595	1 X 5 Hex Cap Screw
ZWA950	1" Flat Washer
ZNT900	1" Heavy Jam Nut
B3A	1-3/16 Pillow Block Bearing (LOK)
B09	3/8 X 1-1/2 Hex Cap Screw
W1	3/8 Flat Washer
AEC330	Model 240 C/W Bearing Support Angle
AEC320	Model 240 C/W Drive Rod Complete

FAST FLO BLENDER



BLP25	Model 240 Left Hand Power Blender	EP4	PB Eccentric Shaft
BLP26	Model 240 Right Hand Power Blender	E5B	Eccentric Connecting Rod
BLP25M	Model 240 Left Hand Power Blender W/Motor	B3A	1-3/16 Pillow Block Bearing (LOK)
BLP27M	Model 240 Right Hand Power Blender W/Motor	BK5	BK36H Sheave
BLP1C	Model 240 PB Base	BK12	H Bushing, 7/8"
BLP2D	Model 240 PB Trough, Left Hand	BK100	BK100 X 1-3/16 Sheave
BLP2DR	Model 240 PB Trough, Right Hand	B38	B38 Belt
BLP20	PB Base Brace	E2	Eccentric Heart
BLP2A	PB Eccentric Drive Guard	N6	3/4" Heavy Jam Nut
TP1	PB Spring Assembly, Left Hand	W3	3/4" Flat Washer
TP1R	PB Spring Assembly, Right Hand	HEC200	Eccentric Bearing (LOK) W/Brk. & Bolts
BLP1C1	PB Motor Base	HEC201	1-3/4" Eccentric Push Rod Bearing (LOK)
BL7	Blender Rear Brace	E11	Eccentric Bearing Bracket
		BL6A	Gussett Brace